

Maintenance Shaft Order Form / Quote



Customer Details

Store: _____ Job Reference: _____
 Contact: _____ Phone: _____
 Address: _____
 Email: _____
 Quote #: _____ Order #: _____
 Delivery Date requested: _____
 (While Aymroo will endeavour to meet requested date, order will be pending current production lead times, stock & shipping).

Return Form To

Fax: 1300 052 857
 Email: sales@aymroo.com.au
 Sales Rep: _____

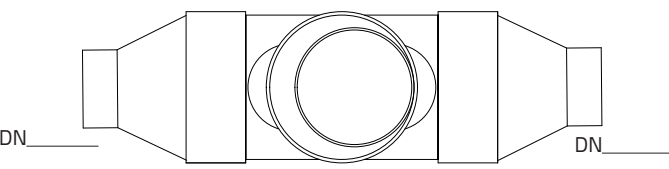
Options (tick)

Connection Type: SWJ RRJ Other
 Riser Diameter: 225 300
 Cap: Locking Threaded

Qty Accessories (tick)

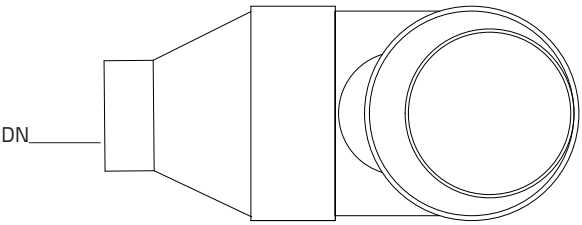
Riser Junction: M&F F&F
 Kicker Bend: 1° 2° 3° 4° 5°
 Vario Bend: 635mm rad 3m rad
 Riser shroud pipe: 375mm PVC
 Trafficable Cover Required: B C D

Inline Maintenance Shaft



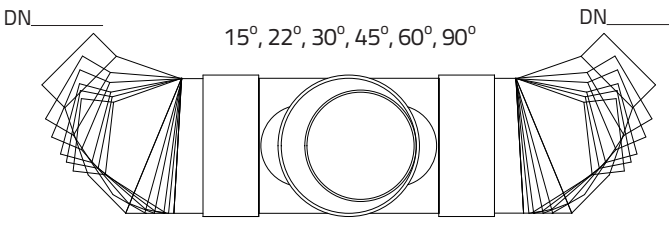
Quantity: _____ Notes: _____

Terminal Maintenance Shaft



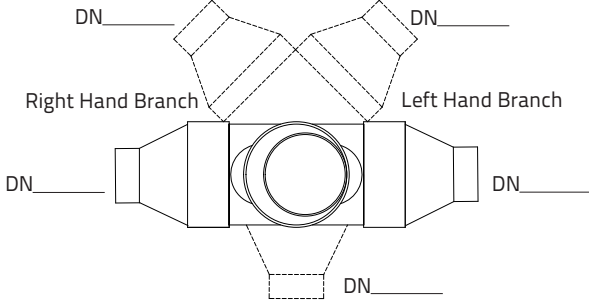
Quantity: _____ Notes: _____

Bend Maintenance Shaft



Quantity: _____ Notes: _____

Maintenance Shaft Junction



Quantity: _____ Notes: _____

Notes

Disclaimer: All products sold by Aymroo to its customers are strictly in accordance with Aymroo's standard Terms and Conditions of Sale Agreement. By signing and submitting this order form, the customer acknowledges AYMROO will not accept any Goods returned for credit were the Goods have been manufactured to specifically meet the order of The Customer, such as Special Fabrications or Maintenance Shafts.

Signed: _____ **Date:** _____
Quoted By: _____ **Date:** _____